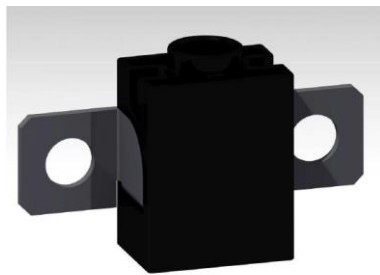


HCEVSPF-1L **High speed breaker**



Features:

The breaking of this product is realized by pyrotechnic drug producing high pressure gas to cut off the conductor. It can control the action by triggering signal and does not depend on the thermal effect of current. Therefore, it can be broken reliably in the case of low multiple or even no current, the breaking time is less than 1ms; When the short circuit current is large, it can also cut off the circuit quickly to limit the peak current; The external or built-in control circuit can set flexible protection strategy according to the actual working conditions of the system.

Applications

- Electric Vehicle
- Charging Pile
- Energy Storage System
- Large Capacity DC Power Supply Equipment

Electric Parameter

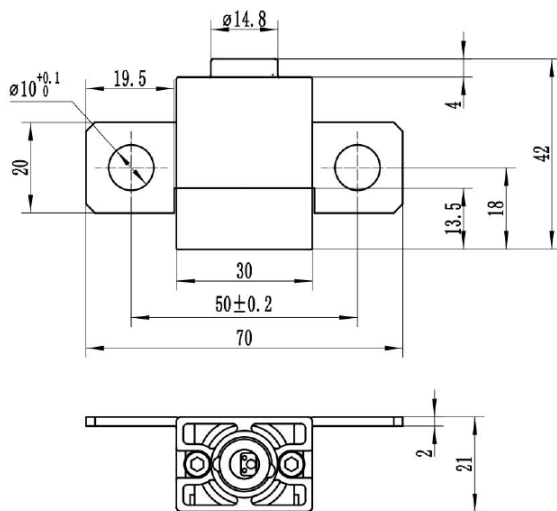
- Rated Voltage: 500VDC
- Rated Current: 50-250A
- On State Resistance: $\leq 50\mu\Omega$
- Off-impedance: $\geq 50M\Omega/500V$
- Breaking Capacity: 0-0.6kA, $L \leq 20\mu H$
- Actuator Resistance: $2 \pm 0.5\Omega$
- Trigger Current: $\geq 1.75A/0.5ms$, Nonpolarity
- Safe Current: $\leq 0.4A$

Other Parameters

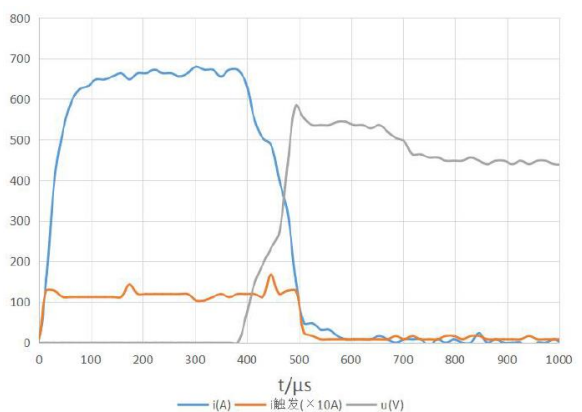
- Operating Temperature: $-40^{\circ}C \sim +105^{\circ}C$
- Storage Temperature: $-40^{\circ}C \sim +70^{\circ}C$
- Altitude: $\leq 4000m^*$
- IP Grade: IPX2
- Weight: $< 60g$
- Impact And Vibration Resistance AK-LV 124

* If the rated working voltage is greater than 2000m, it should be modified

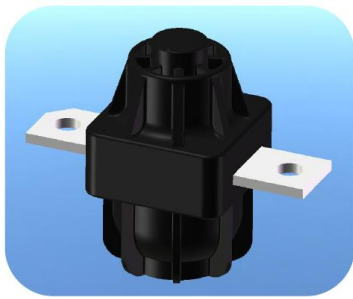
Outline Dimensions



The Test Waveform(500V&10kA&20μH)



HCEVSPF-2L **High speed breaker**



Features:

The breaking of this product is realized by pyrotechnic drug producing high pressure gas to cut off the conductor. It can control the action by triggering signal and does not depend on the thermal effect of current. Therefore, it can be broken reliably in the case of low multiple or even no current, the breaking time is less than 1ms; When the short circuit current is large, it can also cut off the circuit quickly to limit the peak current; The external or built-in control circuit can set flexible protection strategy according to the actual working conditions of the system.

Applications

- Electric Vehicle
- Charging Pile
- Energy Storage System
- Large Capacity DC Power Supply Equipment

Electric Parameter

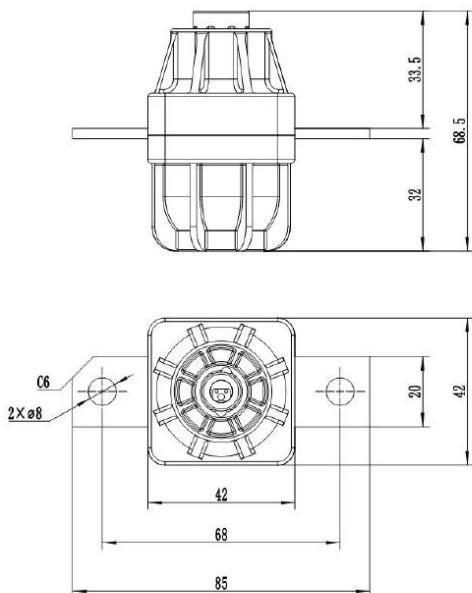
- Rated Voltage: 500VDC
- Rated Current: 50-400A
- On State Resistance: $\leq 50\mu\Omega$
- Off-impedance: $\geq 50M\Omega/500V$
- Breaking Capacity: 0-12kA, $L \leq 20\mu H$
- Actuator Resistance: $2 \pm 0.5\Omega$
- Trigger Current: $\geq 1.75A/0.5ms$, Nonpolarity
- Safe Current: $\leq 0.4A$

Other Parameters

- Operating Temperature: $-40^{\circ}C \sim +105^{\circ}C$
- Storage Temperature: $-40^{\circ}C \sim +70^{\circ}C$
- Altitude: $\leq 4000m^*$
- IP Grade: IPX2
- Weight: $< 200g$
- Impact And Vibration Resistance AK-LV 124

* If the rated working voltage is greater than 2000m, it should be modified

Outline Dimensions



The Test Waveform(500V&10kA&20μH)

