



EV Fuse HCEVF

Product Application

- Pure Electric, Hybrid Vehicle
- BDU, PDU, MSD
- Battery Module
- Charging Pile
- Ultra-capacitor
- Low Speed Electric Vehicle
- All In One Motor controller
- Auxiliary Equipment Junction Box
- Battery Charger

Product Overview

Product Series	Product Series	Voltage Range	Current Range	Use Category	Breaking Capacity
HCEVF1	British BS88	175-750VDC	10-400A	gR aR	20kA 50kA
HCEVF2	Ceramic Pipe	250-1000VDC	100-500A	gR aR	20kA 50kA
HCEVF3	The North American Style	500-1000VDC	40-500A	gR aR	20kA 50kA
HCEVF4	European Standard Square Body	800VDC	100-400A	aR	50kA
HCEVF5	European Standard Square Body	500-1000VDC	200-630A	gR aR	20kA 50kA

HCEVF4 **European Standard Square Body**



Features:

This series of products are specially designed for the protection of electric vehicle HVDC system. It has the advantages of small size, light weight, low power consumption and small fuse I²t.especially suitable for the protection of IGBT and other semiconductor devices.

Basic Parameter:

- Rated Voltage: 800Vdc
- Rated Current: 100-400A
- Breaking Capacity: 50kA (L/R ≤ 2ms)
- Standard: ISO8820, GB/T31465
- RoHS
- Use Category: aR

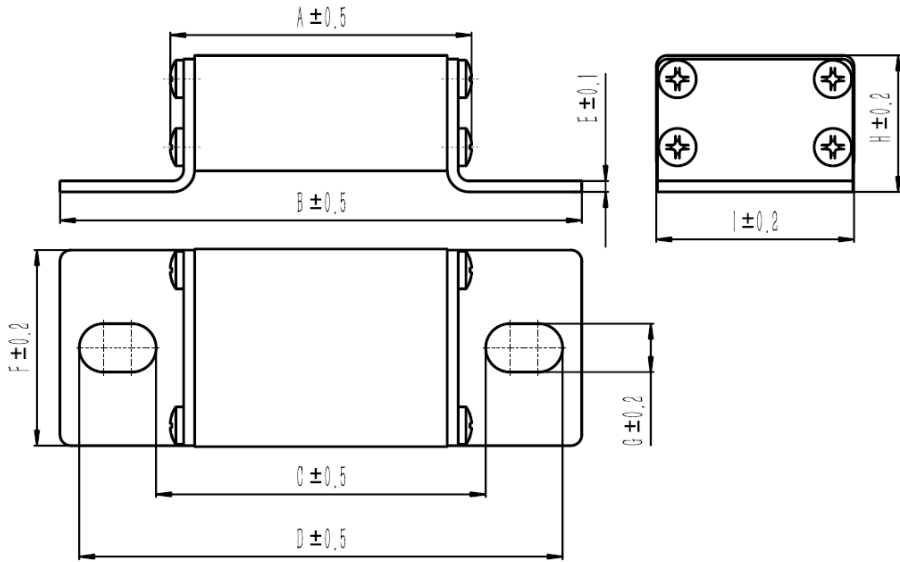
Applications:

- Pure Electric, Hybrid Vehicle
- Charging Pile
- Battery Module
- Ultra-capacitor

Product Model

	HC	EV	F	4	-	36N	-	100	/	800
HC	Company Code									
EV	Electric Vehicle									
F	FUSE									
Series Code	4:European Standard Square Body									
Type	36N;									
Rated Current	100:100A; 125:125A; 150:150A; 200:200A; 225:225A; 250:250A; 300:300A; 350:350A; 400:400A;									
Rated Voltage	800:800VDC;									

OUTLINE DIMENSIONS



Model	Rated Voltage (V)	Rated Current (A)	A (mm)	B (mm)	C (mm)	D (mm)	E (mm)	F (mm)	G (mm)	H (mm)	I (mm)
HCEVF4-36N-□/□	800	100	55	96	60	88	2	35	9	23	36
		125									
		150									
		200									
		225									
		250									
		300									
		350									
400											